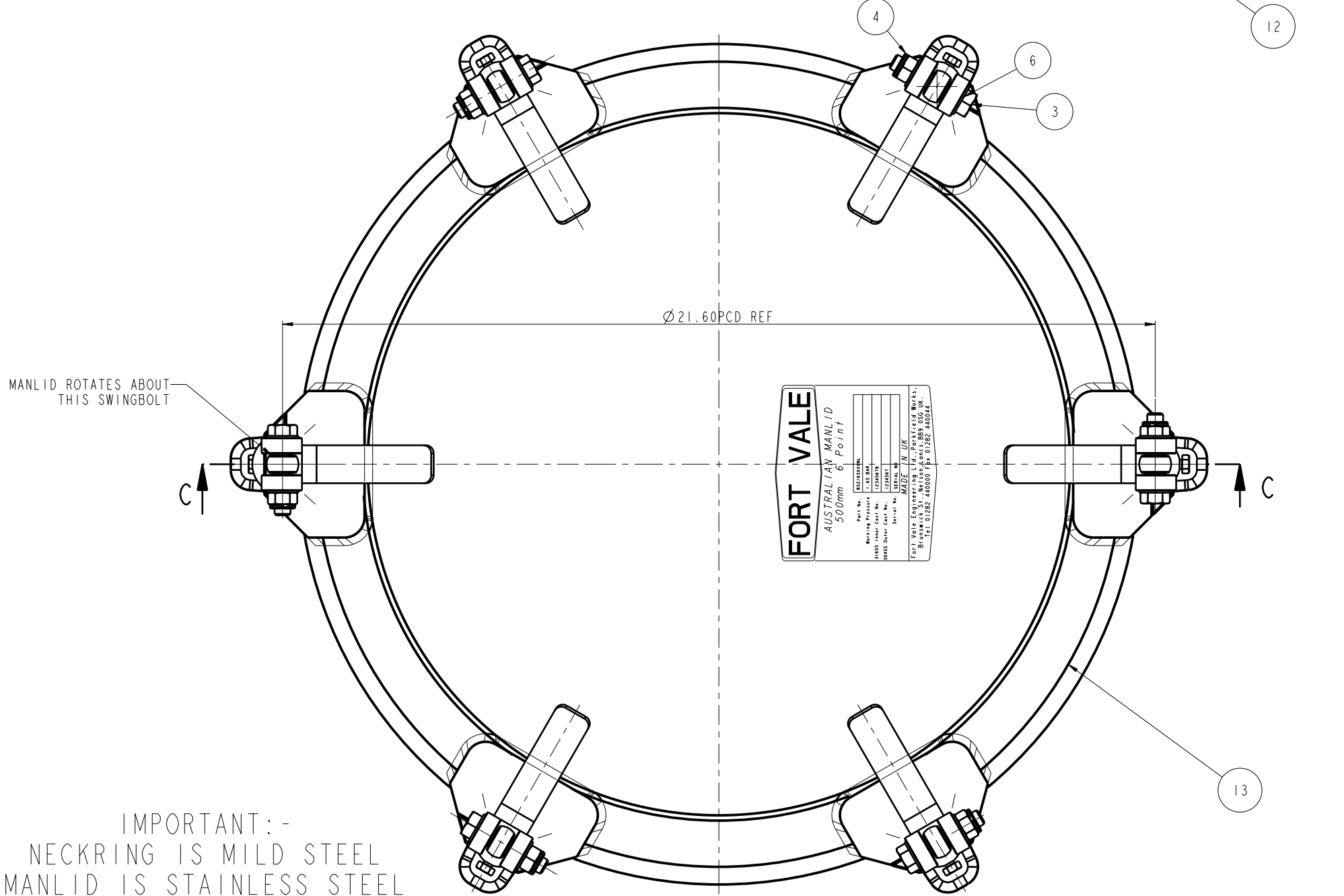
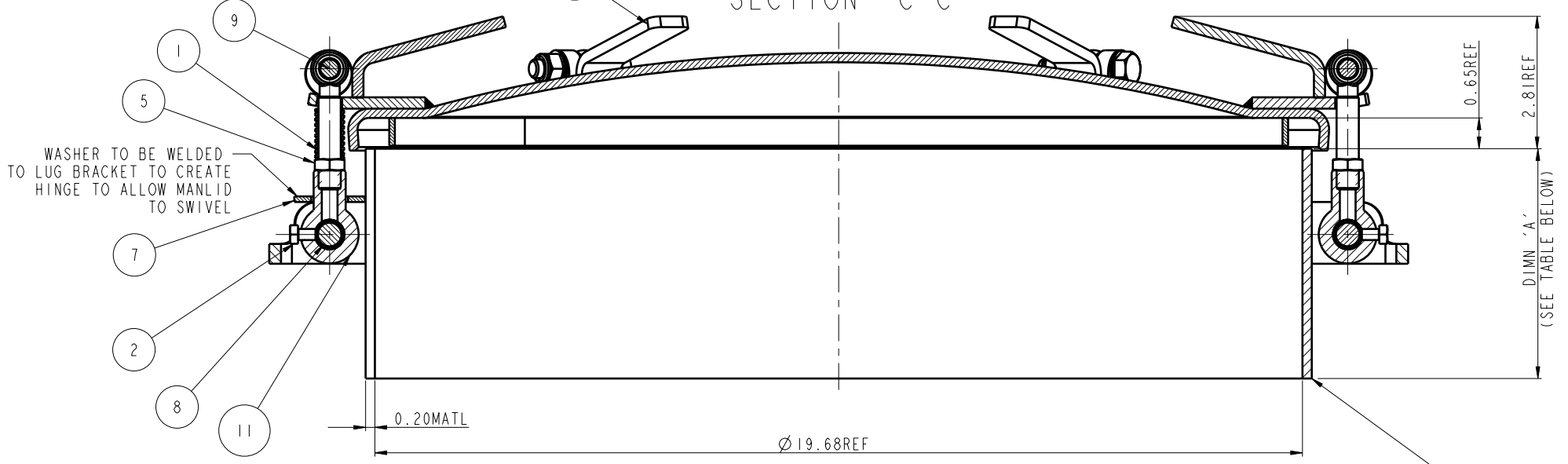


DRG. NO. **85Z/65XXXML**

SECTION C-C



IMPORTANT: -  
NECKRING IS MILD STEEL  
MANLID IS STAINLESS STEEL

| Index Part Number | Description                           | Quantity |
|-------------------|---------------------------------------|----------|
| 13                | 731/1680 1.67BAR QUICK RELEASE MANLID | 1        |
| 12                | 665/65XXXML 500mm 6PT NECKRING ASSY   | 1        |
| 11                | 540/F136 FEMALE SWINGBOLT             | 6        |
| 10                | 490/4000 HANDLE ASSEMBLY              | 6        |
| 9                 | 299/4125 M10 SWINGBOLT 65mm LONG      | 6        |
| 8                 | 10913SS SWINGBOLT PIN                 | 6        |
| 7                 | 5123-009 3/4" PLAIN WASHER MILD ST    | 1        |
| 6                 | 5113-009 M10 PLAIN WASHER             | 12       |
| 5                 | 5112-032 M10 HALF NUT                 | 6        |
| 4                 | 5112-008 M10 SELF LOCK NUT            | 6        |
| 3                 | 5111-110 M10 x 50mm HEX BOLT          | 6        |
| 2                 | 5111-006 M6 X 10mm HEX BOLT           | 6        |
| 1                 | 5104-005 ENTEX SPRING REF 115         | 1        |

DESIGN DETAILS  
ASME VIII DIV 1 A01  
DESIGN PRESSURE: 1.67BAR (24PSI) MAWP  
TEST PRESSURE: 2.50BAR (36PSI)  
DESIGN TEMPERATURE: 150 deg C

| ASSEMBLY PART NUMBER | NECKRING ASSY PART NUMBER | DIMN 'A'      |
|----------------------|---------------------------|---------------|
| 85Z/65100ML          | 665/65100ML               | 3.94" [100.0] |
| 85Z/65150ML          | 665/65150ML               | 5.91" [150.0] |
| 85Z/65200ML          | 665/65200ML               | 7.87" [200.0] |

|  |  |   |  |                                    |
|--|--|---|--|------------------------------------|
| <p>© Fort Vale Engineering Limited 2001</p> <p>The information contained herein is the property of Fort Vale Engineering Ltd. It is not to be copied, or modified, or divulged to any third party without the written permission of FORT VALE ENGINEERING LTD.</p> |  | <p>MATL 316 STST &amp; M.S.</p> <p>ENGLAND USA NETHERLANDS</p> <p>FORT VALE ENG LTD 2002 BSI REGISTERED NUMBER FM 20165</p> | <p>UNLESS OTHERWISE STATED SURFACE FINISH 125 CLA CORNER RADII 0.015" CORNER CHAMFER 0.03 x 45°</p> <p>DESCRIPTION 500mm 6PT MANLID/NECK ASSY</p> <p>TYPE LOW PRESSURE QUICK RELEASE</p> | <p>DRG. NO. <b>85Z/65XXXML</b></p> |
|--|--|---|--|------------------------------------|