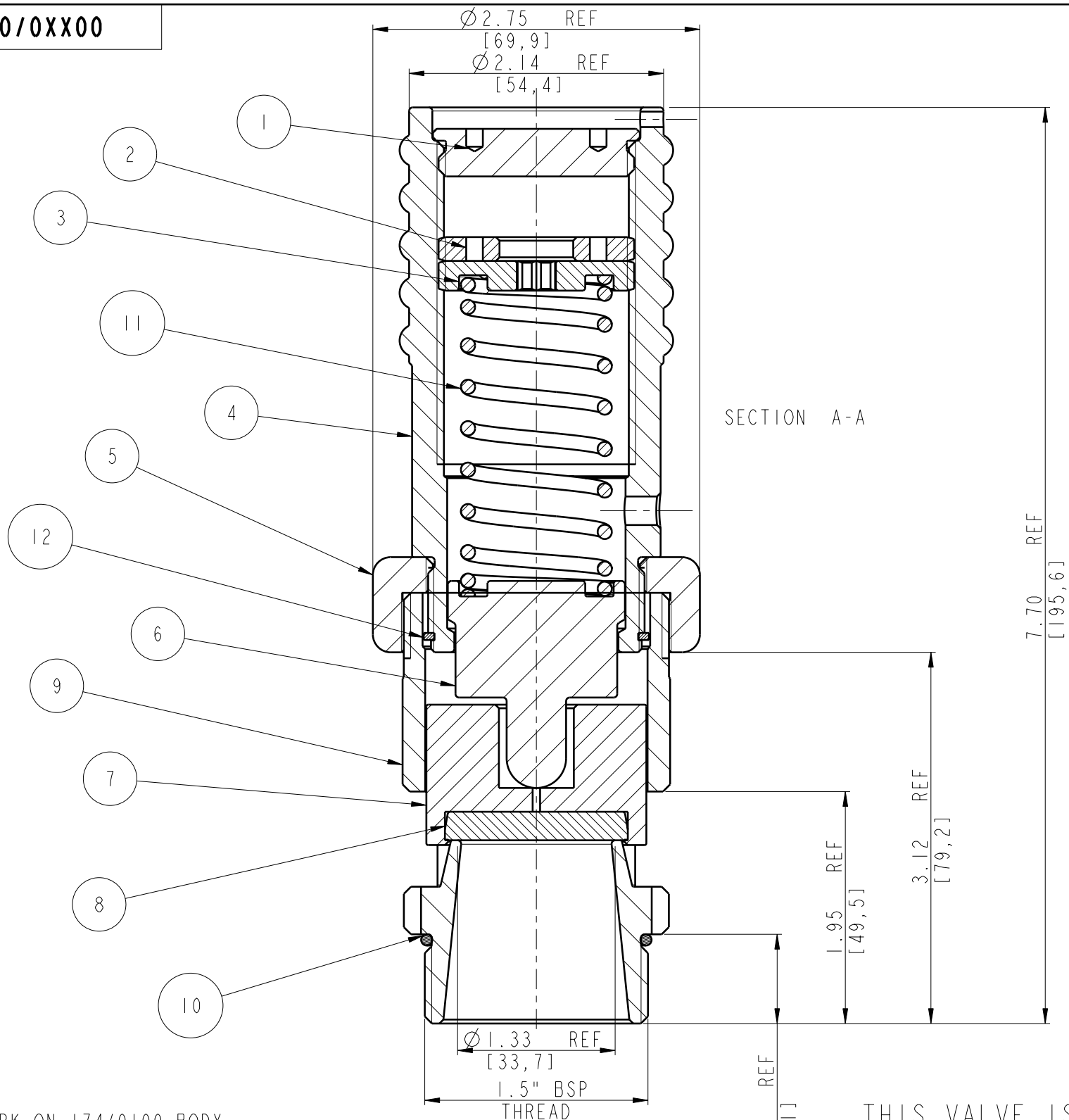


DRG. NO. **900/0XX00**

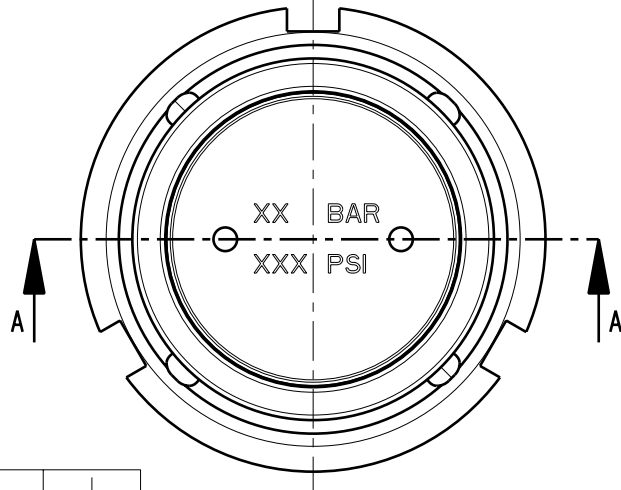


MARK ON 174/0100 BODY

MADE IN UK



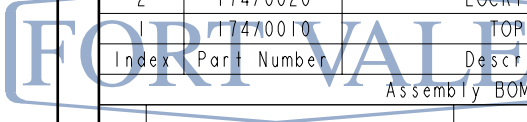
1.5" BSP POWDER TANK VALVE
 PART NO 900/0XX00
 CONTACT MATERIAL BRASS
 SEAL MATERIAL SILICONE
 FOR NOMINAL SET PRESSURE SEE TOP CAP



THIS VALVE IS TO BE NOMINALLY SET AS CUSTOMER SETS VALVE ONCE INSTALLED

Index	Part Number	Description	Quantity
12	5120-018	RETAINING RING CLIP	1
11	5104-XXX	PRESSURE SPRING SEE TABLE	1
10	5005-591	BS 132 'O' RING VITON	1
9	174/0100	BODY BOTTOM	1
8	174/0081	DISC SEAL	1
7	174/0070	PRESSURE PLATE	1
6	174/0060	BOTTOM SPRING PAD	1
5	174/0050	BODY LUG NUT	1
4	174/0040	BODY TOP	1
3	174/0030	UPPER SPRING PAD	1
2	174/0020	LOCKING NUT	1
1	174/0010	TOP CAP	1
Assembly BOM			

900/03800	5104-175
900/02900	5104-172
900/02800	5104-172
900/02400	5104-173
900/02200	5104-174
900/02000	5104-174
900/01800	5104-174
900/01600	5104-171
900/01500	5104-171
900/01400	5104-171
900/00900	5104-171
900/00800	5104-171
900/00700	5104-171
PART NUMBER	SPRING NUMBER



© Fort Vale Engineering Limited 2001

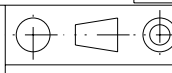
The information contained herein is the property of Fort Vale Engineering Ltd and is not to be copied or divulged to any third party without the written permission of FORT VALE ENGINEERING LTD.

MATL	ALUM & BRASS
DRAWN	D BAILEY
DATE	07-06-93
UNITS	IN
CHECKED	DVN 8387



ENGLAND
USA
NETHERLANDS

© FORT VALE
ENG LTD 2001
BSI REGISTERED
NUMBER FM 20165



UNLESS OTHERWISE STATED SURFACE FINISH 125 CLA
CORNER RADII 0.015" CORNER CHAMFER 0.03 x 45°

DESCRIPTION POWDER TANK RELIEF VALVE

TYPE POWDER TANKS

DRG. NO. **900/0XX00**